

Electric pump

EL150A

PUMP SPECIFICATIONS

Capacity [m ³ /h]	720
Head [m]	22
Impeller diameter [mm]/type	760/2 blades closed
Flanged bore size [DN.../PN...]	DN250/PN10
Cross section diameter [mm]	120
Weight (without cable) [kg]	4520

ELECTRIC MOTOR

Power [kW-HP]	110-150
Voltage [V]/Current [A]	400/240
Phases/Poles/Frequency [Hz]	3/10/50
Speed [RPM]	600
Starting method	Soft starter
Motor duty/Service factor	S1/1.25
Insulation class/Protection degree	H/IP68
Motor protector	in built thermal protection/moisture sensor
Powercable 50m (IEC 60245- 4)	H07RN-F 4G95

MATERIALS

Casing	Spheroidal cast iron EN-GJS-500-7 (EN 1563)
Motor housing	Cast iron EN-GJL-250 (EN 1561)
Wear parts	High chrome EN-GJN-HV600 (XCr18) (EN 12513)
Main shaft	High tensile steel 39NiCrMo3 (AISI 9840)

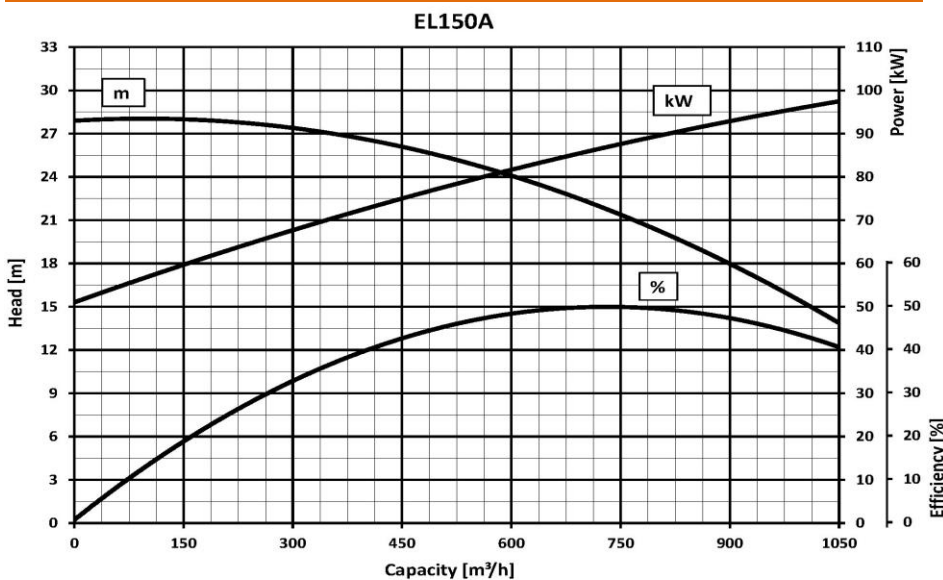
SEALS / LUBRICANT

Motor side seals	1 mechanical seal (WC - tungsten carbide)
Impeller side seals	1 mechanical seal (WC - tungsten carbide)
Oil type	ISO 320

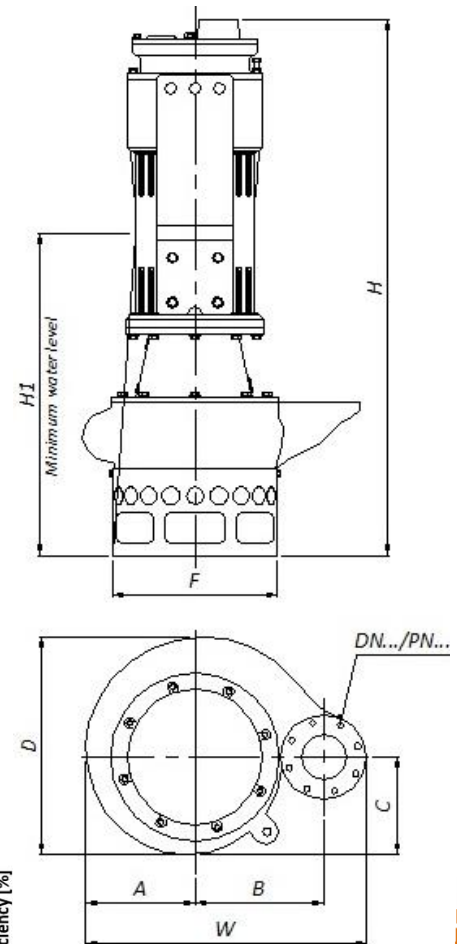
DIMENSIONS [mm]

H	W	D	F	H1	A	B	C
2650	1595	1360	1015	1800	650	750	600

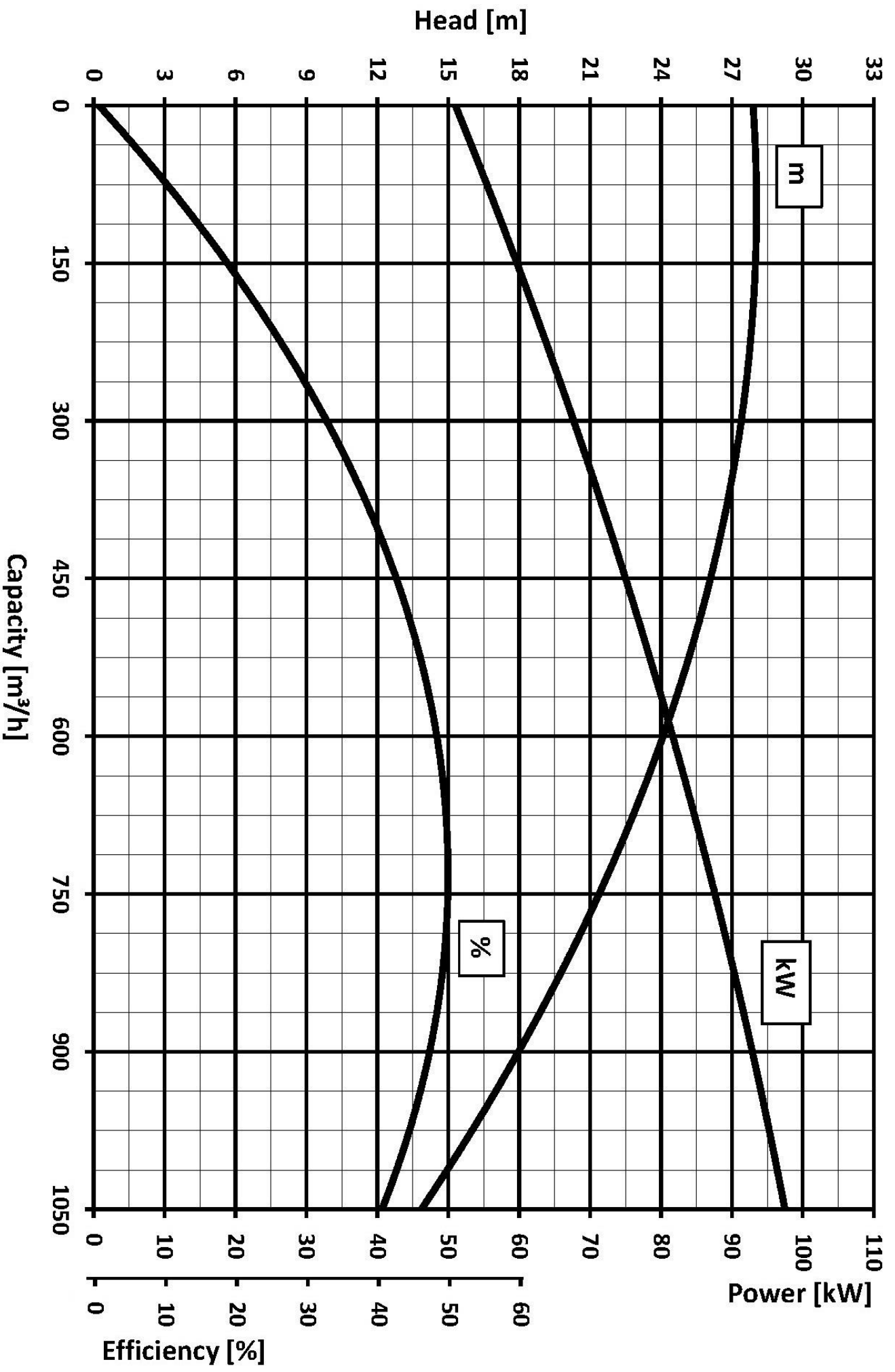
PERFORMANCE CURVES



We reserve the right to make changes without notice



EL150A



We reserve the right to make changes without notice