

Hydraulic pump

HY300A/B



PUMP SPECIFICATIONS	Mod. A	Mod. B
Capacity [m ³ /h]	900	1200
Head [m]	34	26
Impeller diameter [mm]/type	760/2 blades closed	
Flanged bore size [DN.../PN...]	DN250/PN10	DN300/PN10
Cross section diameter [mm]	120	
Weight [kg]	3500	3550

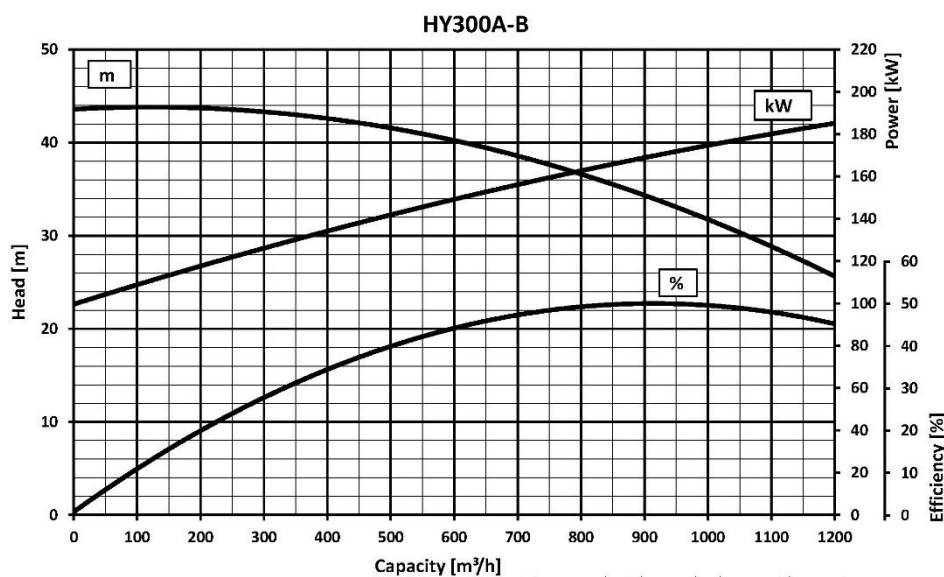
HYDRAULIC MOTOR	
Motor displacement [cc]	500
Max. oil flow rate[l/min]	380
Max. pressure [bar]	350
Power [kW-HP]	220-300
Speed [RPM]	750

MATERIALS	
Casing	Spheroidal cast iron EN-GJS-500-7 (EN 1563)
Motor housing	Cast iron EN-GJL-250 (EN 1561)
Wear parts	High chrome EN-GJN-HV600 (XCr18) (EN 12513)
Main shaft	High tensile steel 39NiCrMo3 (AISI 9840)

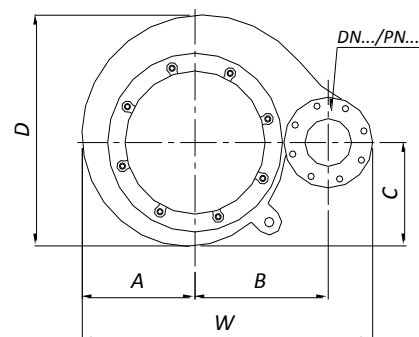
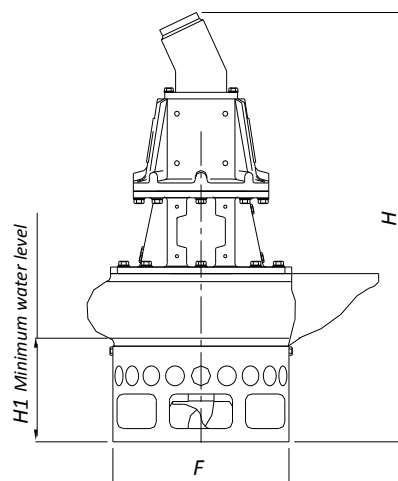
SEALS / LUBRICANT	
Motor side seals	3 lip seals (2 BUNA + 1 PTFE)
Impeller side seals	5 lip seals (3 BUNA + 2 PTFE)
Oil type	ISO 320

DIMENSIONS [mm]							
H	W	D	F	H1	A	B	C
2400	1600	1357	1015	470	652	750	576

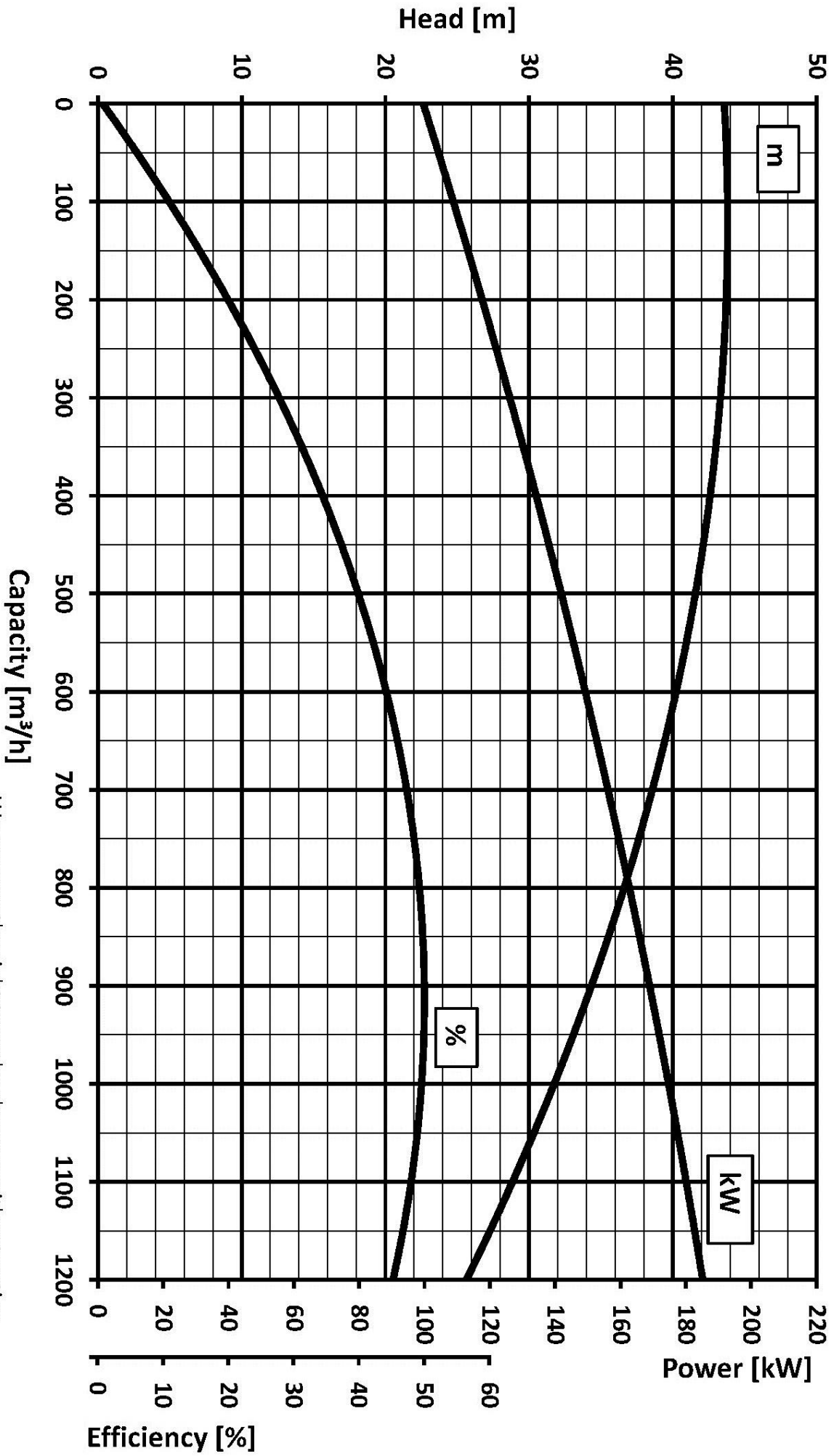
PERFORMANCE CURVES



We reserve the right to make changes without notice



HY300A-B



We reserve the right to make changes without notice