

# Hydraulic pump **HY85HC**

## Technical specifications:

Capacity:	720 m <sup>3</sup> /h	860 m <sup>3</sup> /h
Head:	5 m	7 m
Weight:	1000 Kg	1000 Kg
Cross section:	ø 90 mm	ø 90 mm
Impeller:	2 vanes closed / ø 405 mm	2 vanes closed / ø 405 mm
Bore:	ø 250 mm	ø 250 mm

## Motor:

Speed:	980 R.P.M.	1180 R.P.M.
Output:	44 kW ( 60 HP )	62 kW ( 85 HP )
Need of oil:	106 L/min.	130 L/min.
Oil pressure:	250 bar	300 bar
Motor displacement:	108 c.c.	108 c.c.

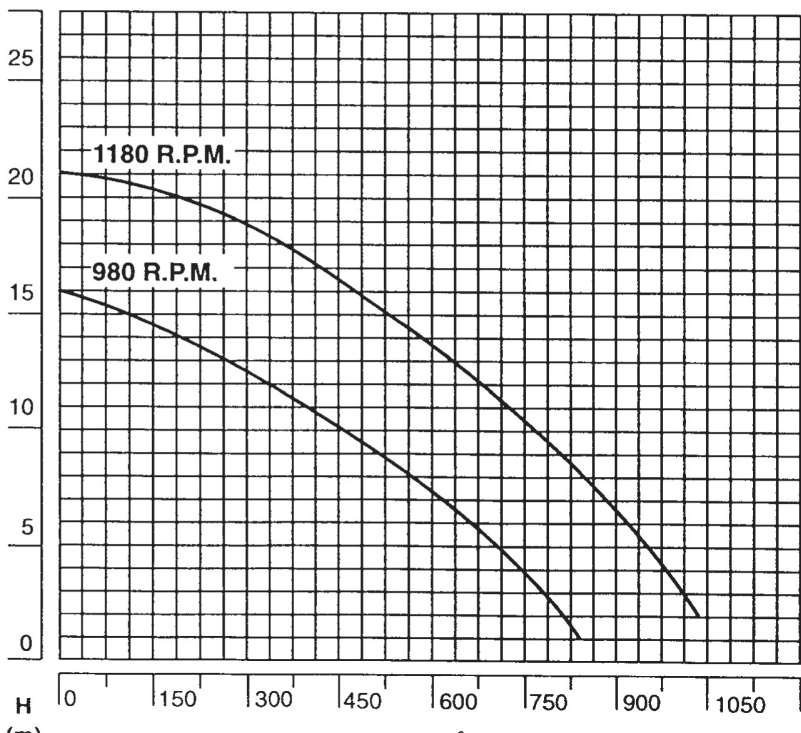
## Materiali:

Main Body: spheroidal cast iron GS500.  
 Motor Housing: cast iron G25.  
 Wearing parts: high chrom.  
 Main Shaft: austempering NiCrMo4 Steel.

## Seals:

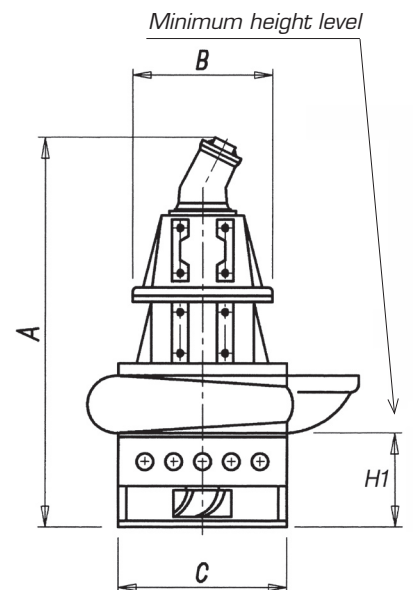
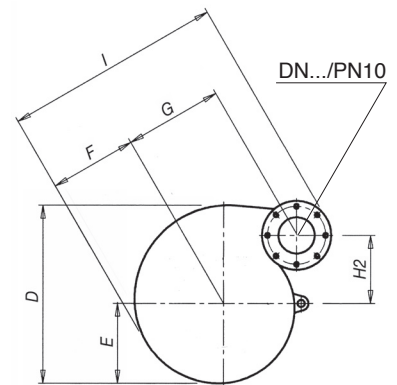
Seals motor zone: n°2 rubber lip seals.  
 Seals impeller zone: n°1 polyuretane V-RING n°3 rubber lip seals n°2 PTFE lip seals with stainless steel spring (alternate).

## Performance Curve



## Dimensions

A (mm)	1470
B (mm)	460
C (mm)	548
D (mm)	1020
E (mm)	449
F (mm)	478
G (mm)	485
H1 (mm)	326
H2 (mm)	340
I (mm)	1165



Created with